

## Aqua-4D® Tube 360F

- Flow rate from 0 to 360 L/min (21.6 m³/h)
- 2" DN50

### Technical Data

Mechanical construction	
Length (between mating surface)	804 mm
Max. external diameter	112 mm
Connection	Mobile nuts (G 2 3/4" female thread)
Size rating	2" (DN 50)
Weight	8.7 kg
Connection cable length	280 cm
Connector	Binder Series 423, 5 poles, male
Maximum flow rate	360 L/min (21.6 m³/h)
Pressure rating	PN25 (SDR 9)
Ambient conditions	
Index of protection	IP 65
Ambient temperature	0 ... 60 [°C]
Storage temperature	0 ... 70 [°C]
Materials and accreditations	
Material	PVC-C, Friatherm Admitted in drinking water

### Efficiency and reliability

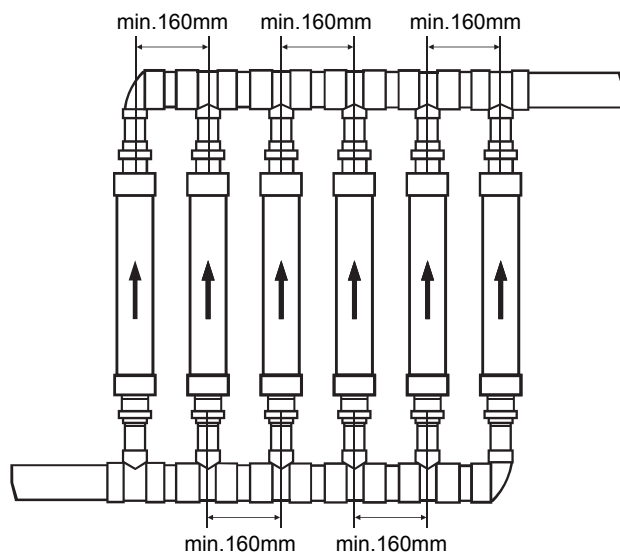
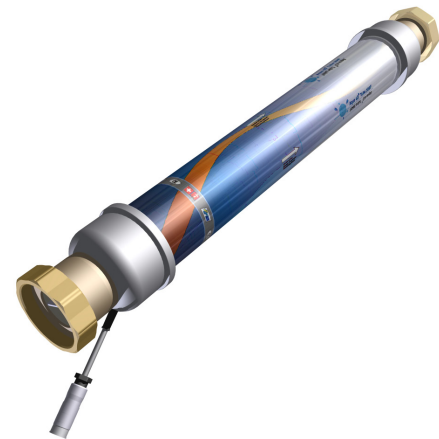
Aqua-4D® water treatment systems have been proving their efficiency for more than 10 years. The latest generation improves the reliability of the systems and the efficiency of the treatment.

### Modular

Thanks to the modular concept, Aqua-4D® systems adapt themselves to all type of installations as well as all flow rates.

### Eco-friendly

Aqua-4D® Serie E is a patented technology of electromagnetic water treatment. The treatment is ecological as it does not use any chemical product and does not change the chemical composition of the water.



### Installation

The installation of the tube in the pipe is made with the arrow in the direction of the water flow.

Tubes 360F can be assembled horizontally or vertically, in upward or downward flow.

It is possible to assemble many Tubes 360F in parallel. The minimum distance between 2 Tubes 360F, measured from the centre of one axis to the other, is 160 mm.

## Associated modules and accessories



### Command 360E Pro

Control unit that can control from 1 to 6 Tubes 360F:

- Index of protection IP 65
- Alarm output on a relay
- Synchronisation of EM signals between several electronic devices (up to 32)

Art. n° 80210



### Extensions for Tubes 360E/F

When the Command 360E Pro is placed at over two metres from the Tubes 360F, an extension is required

- Length > 15 m made to measure (max. 50 m)

Art. n° 83210 Length 5 m

Art. n° 83211 Length 10 m

Art. n° 83212 Length 15 m



### Y connection 360E/F

To connect 2 Tubes to an output of the Command 360E Pro.

When the maximum flow rate of the installation is between 1080 and 1440 L/min (64.8 and 86.4 m<sup>3</sup>/h), a Y connection is needed to connect the fourth Tube 360F.

When the maximum flow rate of the installation is between 1440 and 1800 L/min (86.4 and 108 m<sup>3</sup>/h), two Y connections are needed to connect the fourth and fifth Tube 360F.

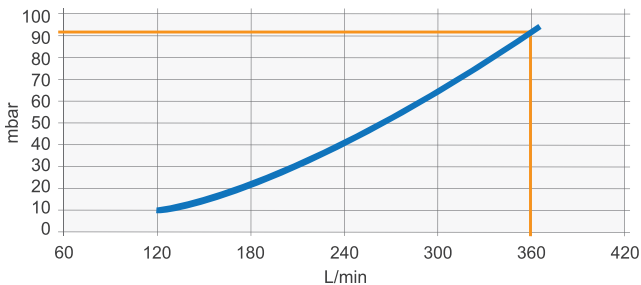
When the maximum flow rate of the installation is between 1800 and 2160 L/min (108 and 129.6 m<sup>3</sup>/h), three Y connections are needed to connect the fourth, fifth and sixth Tube 360F.

Art. n° 83020

## Standard Packages

Packages	Max. L/min	Max. m <sup>3</sup> /h	Command	Tube	Y
Aqua-4D® 360E Pro	360	21.6	1 x Command 360E Pro	1 x Tube 360F	
Aqua-4D® 720E Pro	720	43.2	1 x Command 360E Pro	2 x Tube 360F	
Aqua-4D® 1080E Pro	1080	64.8	1 x Command 360E Pro	3 x Tube 360F	
Aqua-4D® 1440E Pro	1440	86.4	1 x Command 360E Pro	4 x Tube 360F	1 x Y 360E/F
Aqua-4D® 1800E Pro	1800	108	1 x Command 360E Pro	5 x Tube 360F	2 x Y 360E/F
Aqua-4D® 2160E Pro	2160	129.6	1 x Command 360E Pro	6 x Tube 360F	3 x Y 360E/F

## Pressure loss



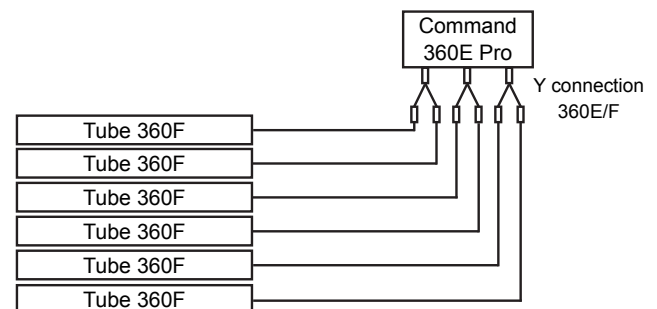
## Pressure & Temperatures

Temperature	Pressure max.
95°C	3.7 bar (max. 2 to 3 minutes)
90°C	3.7 bar (max. 2 to 3 hours)
85°C	5 bar
80°C	5.8 bar
70°C	7.5 bar
60°C	10 bar

## Example of an installation

20 hectares of Greenhouse Irrigation

- 1 x Command 360E Pro
- 6 x Tube 360F
- 3 x Y connection 360E/F



## Notes

## Contact