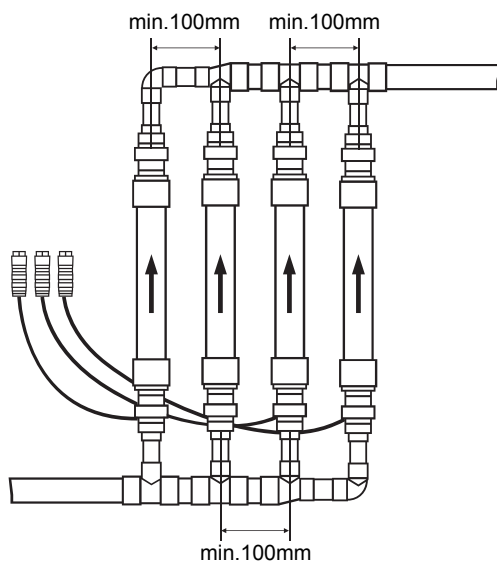


## Aqua-4D® Tube 60F

- Flow rate from 0 to 60 L/min (3.6 m³/h)
- 1" DN25

### Technical Data

Mechanical construction	
Length (between mating surface)	436 mm
Max. external diameter	61 mm
Connection	Mobile nuts (G 1.5" female thread)
Size rating	1" (DN 25)
Weight	1.9 kg
Connection cable length	150 cm
Connector	Binder Series 423, 4 poles, male
Maximum flow rate	60 L/min (3.6 m³/h)
Pressure rating	PN25 (SDR 9)
Ambient conditions	
Index of protection	IP 65
Ambient temperature	0 ... 60 [°C]
Storage temperature	0 ... 70 [°C]
Materials and accreditations	
Material	PVC-C, Friatherm Admitted in drinking water



### Efficiency and reliability

Aqua-4D® water treatment systems have been proving their efficiency for more than 10 years. The latest generation improves the reliability of the systems and the efficiency of the treatment.

### Modular

Thanks to the modular concept, Aqua-4D® systems adapt themselves to all type of installations as well as all flow rates.

### Eco-friendly

Aqua-4D® Serie E is a patented technology of electromagnetic water treatment. The treatment is ecological as it does not use any chemical product and does not change the chemical composition of the water.



### Installation

The installation of the tube in the pipe is made with the arrow in the direction of the water flow.

Tubes 60F can be assembled horizontally or vertically, in upward or downward flow.

It is possible to assemble many Tubes 60F in parallel. The minimum distance between 2 Tubes 60F, measured from the centre of one axis to the other, is 100 mm.

## Associated modules and accessories



Control unit that can control 1 Tube 60F.

Art. n° 80110 : Programming for villa, efficient against limestone and corrosion

Art. n° 80111 : Programming for livestock, efficient against biofilm

### Command 30E



Control unit that can control from 1 to 4 Tubes 60F with:

- Alarm output on a relay
- Synchronisation of EM signals between several electronic devices (up to 32)

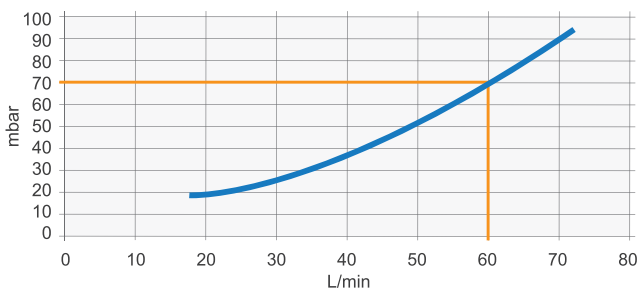
### Command 60E Pro v2

Art. n° 80022

## Standard Packages

Packages	Max. L/min	Max. m³/h	Command	Tube	Y
Aqua-4D® 30E	30	1.8	1 x Command 30E	1 x Tube 60F	
Aqua-4D® 60E Pro	60	3.6	1 x Command 60E Pro	1 x Tube 60F	
Aqua-4D® 120E Pro	120	7.2	1 x Command 60E Pro	2 x Tube 60F	
Aqua-4D® 180E Pro	180	10.8	1 x Command 60E Pro	3 x Tube 60F	1 x Y 60E/F
Aqua-4D® 240E Pro	240	14.4	1 x Command 60E Pro	4 x Tube 60F	2 x Y 60E/F

## Pressure loss



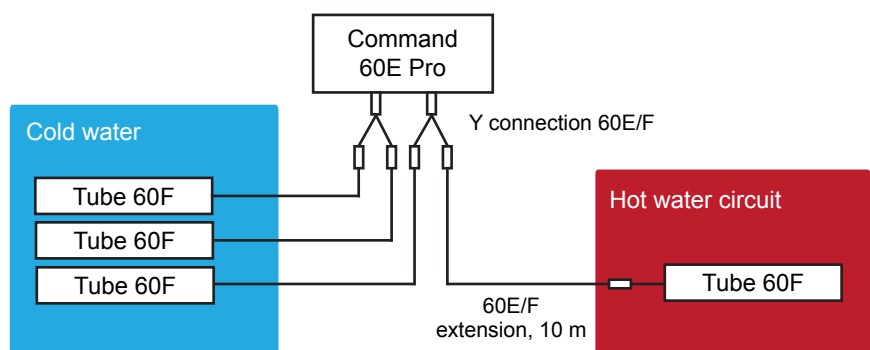
## Pressure & Temperatures

Temperature	Pressure max.
95°C	3.7 bar (max. 2 to 3 minutes)
90°C	3.7 bar (max. 2 to 3 hours)
85°C	5 bar
80°C	5.8 bar
70°C	7.5 bar
60°C	10 bar

## Example of an installation

Building of 15 apartments with hot water circulation

- 1 x Command 60E Pro
- 4 x Tube 60F
- 2 x Y connection 60E/F
- 1 x 60E/F extension, 10 m



## Notes

## Contact