

Aqua-4D® Command 30E

- Art. n° 80110 : Programming for villa, efficient against limestone and corrosion
- Art. n° 80111 : Programming for livestock, efficient against biofilm
- Can control 1 Tube 60F
- Flow rate from 0 to 30 L/min (1.8 m³/h)

Technical Data

Mechanical construction	
Dimensions without support feet	L x W x H : 160 x 125 x 91 mm
Dimensions including support feet	L x W x H : 184 x 125 x 99 mm
Weight	0.6 kg
Control unit material	Polycarbonate
Front material	Polycarbonate
Tube connector	Binder Series 423, 4 poles, female
Power supply	
Voltage	110 ... 240 V AC, 47 ... 63 Hz
Power consumption	9 W
Ambient conditions	
Index of protection	IP 53
Ambient temperature	0 ... 40 [°C]
Storage temperature	-25 ... 65 [°C]
Electromagnetic compatibility	Emissivity and immunity in accordance with IEC 61000-6-1 and IEC 61000-6-3
Protection from overvoltage	In accordance with IEC 61000-4-5
Relative humidity	0 ... 95 %, without condensation

Efficiency and reliability

Aqua-4D® water treatment systems have been proving their efficiency for more than 10 years. The latest generation improves the reliability of the systems and the efficiency of the treatment.

Modular

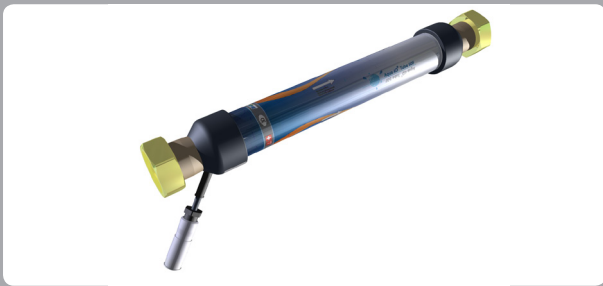
Thanks to the modular concept, Aqua-4D® systems adapt themselves to all type of installations as well as all flow rates.

Eco-friendly

Aqua-4D® Serie E is a patented technology of electromagnetic water treatment. The treatment is ecological as it does not use any chemical product and does not change the chemical composition of the water.



Associated modules and accessories



Tube 60F

Tube for Command 30E. Assembled directly onto the pipes, the Tube 60E is used to transmit electromagnetic signals into the water using 2 solenoids.

Art. n° 82020



Extensions for Tubes 60E/F

When the Command 30E is placed at over a metre from the Tube 60F, an extension is required.

Art. n° 83200 Length 5m

Art. n° 83201 Length 10m

Art. n° 83202 Length 15m

Standard Packages

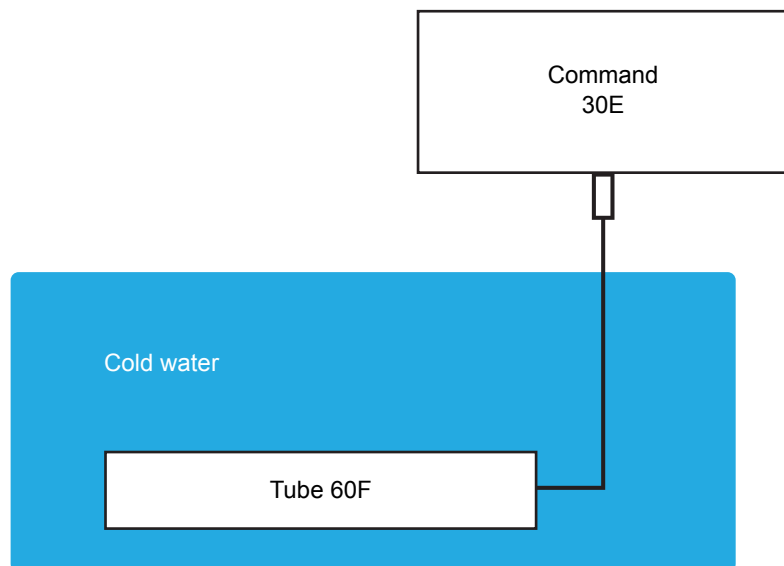
Packages	Max. L/min	Max. m³/h	Command	Tube	Y
Aqua-4D® 30E	30	1.8	1 x Command 30E	1 x Tube 60F	

Example of an installation

Villa, domestic cold water treatment.

1 x Command 30E

1 x Tube 60F



Notes

Contact